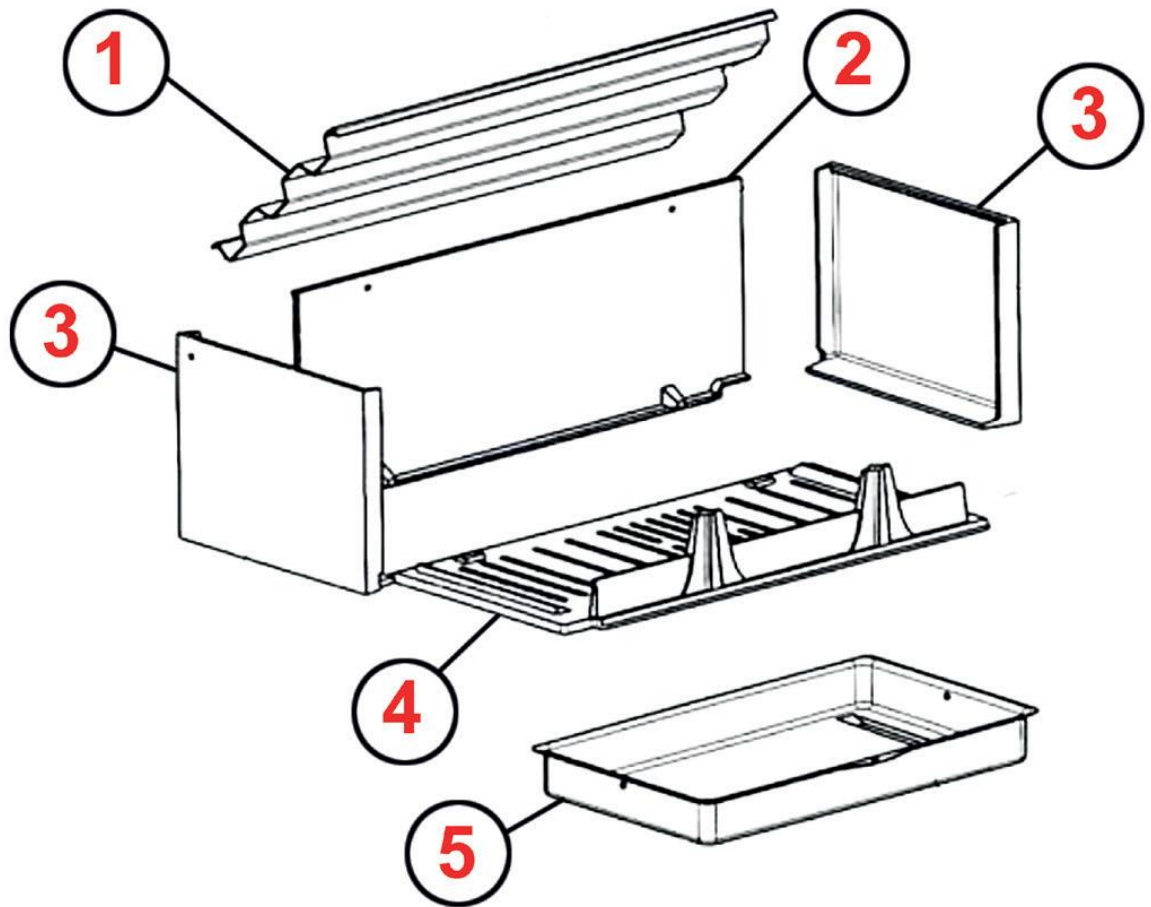


○ 7750 WENDY 7790 CRYSTAL



-
- 1 – DEFLECTEUR REF / P0047203
 - 2 – PLAQUE ARRIERE REF / P0050878
 - 3 – PLAQUE LATERALE REF / P0027652
 - 4 – GRILLE REF / P0027651
 - 5 – CENDRIER REF / P0020306